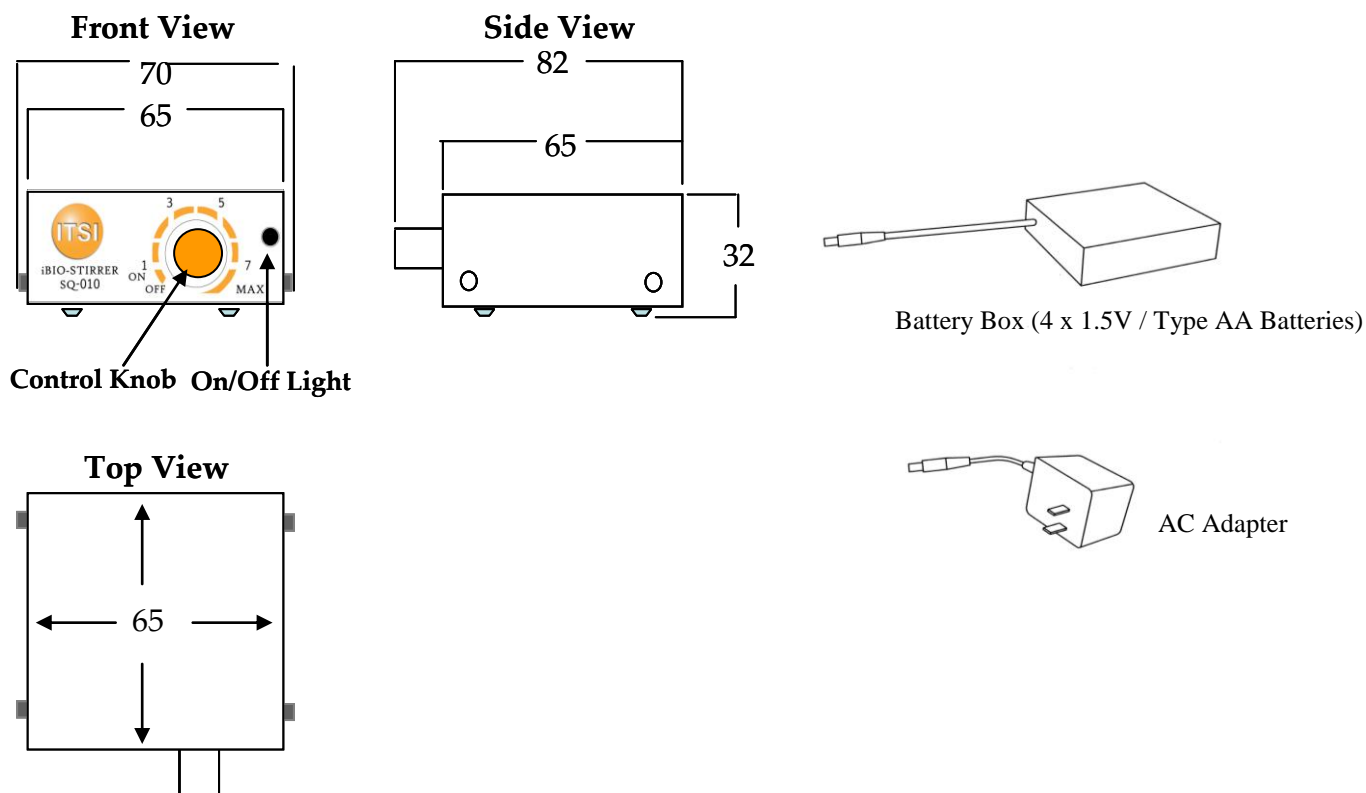


iBio-SQ-010-Mini-Stirrer



Introduction

The iBio-SQ-010 is a general purpose laboratory magnetic stirrer. The stirring speed can be controlled by the control knob. Read this manual thoroughly before attempting to operate the iBio SQ-010. All persons operating this instrument should review the Safety Precautions section of this manual.

Specifications

Stirring Platform	65x65mm
Volume	max. 200ml
Stirring Speed	appr. 200-900rpm
Operating Temperature	5 to 40°C, Humidity levels below 80%
Dimensions	W70×D82×H32 mm, Weight 210g
Electrical	AC Adapter or Battery Box with 4 x 1.5V Type AA Batteries

Unpacking and Installation

Upon receipt of the iBio- SQ-010-Stirrer, examine the exterior carton for damages. In the event of shipping damage, a claim must be filed with the transportation carrier within 10 days of receipt. Save all packaging for inspection by the carrier.

Carefully unpack the unit and check for completeness. Included in the carton should be the following:

1. iBio- SQ-010 - Stirrer Unit
2. Battery Box
3. AC Adapter

If any of these items are missing, contact itsi@itsibio.com immediately. Save the original packaging until the unit has been shown to be operating properly.

Place the mini-stirrer on a level, stable surface near a grounded electrical outlet. The surface should be clean and free of dust to ensure that the feet grip the surface firmly. With the power

switch in the OFF position, plug the power cord into a grounded receptacle. Alternatively, place 4 AA Type batteries in the battery box and plug the iBio-SQ-010-Stirrer to the battery box.

Operating the iBio-SQ-010 -Stirrer

All operating controls are located on the front panel. The power control knob controls the speed of the magnetic stirring bar by turning the control knob to the right. Stirring speed can be reduced by turning the control knob to the left. Once the stirrer is on the green ON/OFF light will be visible.

Safety Precautions

The following precautions should be taken when operating or working near the iBio-SQ-010 Stirrer:

- Never operate with a damaged stirrer platform.
- Always wear shatterproof eye protection.
- Do not use solvents and flammables on or near the stirrer.
- Mix hazardous samples in appropriate containment vessels.
- Service and repair must be performed only by qualified professionals.
- Only qualified lab personnel to operate laboratory equipment

Warranty

The iBio-SQ-010-Stirrer is guaranteed to be free of defects in materials and workmanship for a period of one year from the date of purchase. This guarantee is valid only if the unit has been used in accordance with the instructions in this manual and for its intended purpose. ITSI-Biosciences shall not be responsible for consequential damages or damages resulting from the abuse or misuse of this equipment. ITSI-Biosciences LLC liability shall be limited to the repair or replacement of the unit or refund of the purchase price at ITSI-Biosciences discretion.

In the event that service is required, contact ITSI-Biosciences at 1-814-262-7331.

ITSI-Biosciences, LLC reserve the right to alter the specification of the iBio-SQ-010-Stirrer without notice. This allows the incorporation of improvements as they are developed.

Care and Maintenance

Warning: Disconnect Stirrer from power source before attempting any cleaning or maintenance procedures.

Do not immerse the unit or pour liquids over it as electrical shock may occur. Clean up any spills immediately taking the proper precautions. The motor and shaking mechanism in the iBio-SQ-010- Stirrer require no routine maintenance or lubrication. To ensure a long life for the Stirrer, it should be used in a dry, non-corrosive environment.

Where to Call

If you have a question about the iBio- SQ-010-Stirrer, contact ITSI-Biosciences, LLC Customer Service Department at 814-262-7331, Monday through Friday, 9am to 5pm EST or email: itsi@itsibio.com

Before returning any unit for service, a Repair Return Authorization (RRA) number must first be obtained. Equipment sent in without out prior authorization will be returned at the customer's expense. When returning a unit to ITSI-Biosciences, LLC for service, it should be sent in the original packaging. If this is not possible, be sure that the unit is sufficiently packed. Any damage resulting from improper packaging is the responsibility of the customer. A written explanation should accompany the unit along with the RRA number.

Copyright January 2010, ITSI-Biosciences, LLC. All rights reserved.
Reproduction without prior written permission is prohibited.
Information contained herein subject to change without notice.

ITSI-Biosciences, LLC
633 Napoleon Street
Johnstown, PA 15901
Phone: 814-262-7331
Fax: 814-262-7334
Email: itsi@itsibio.com